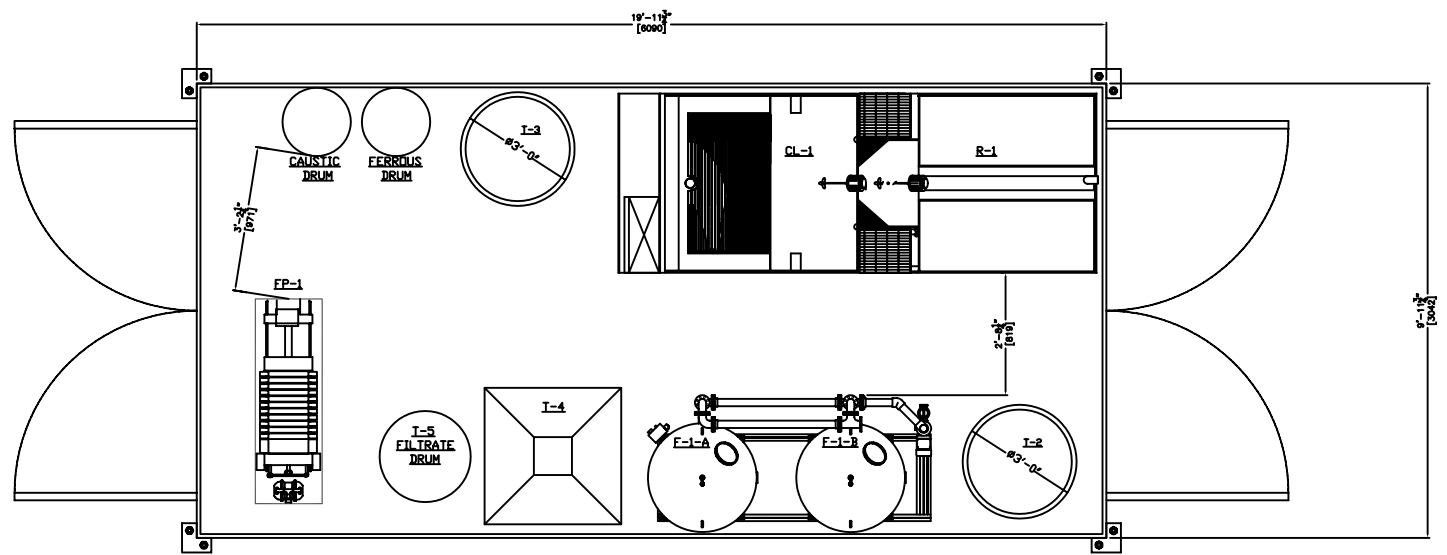


TRAILER ELEVATION



TRAILER LAYOUT

											DR. RD	I.D. NO.:	A0205	CUSTOMER:	Shell Global Solutions				
											DSGN. RD	PROJECT NO.:	3/4"=1'-0"		TITLE:	10 gpm UniPure Treatment System Trailer Plan & Elevation			
										CK. MM	DWG. SCALE	3/4"=1'-0"	DWG. No.:	A02055					
										AP. TY	PLOT SCALE			REV. No.:	A				
										DATE	02/21/06								
										-CONFIDENTIAL- NOT TO BE DISCLOSED, USED OR DUPLICATED EXCEPT AS AUTHORIZED IN WRITING BY UNIPURE									
NO.	REVISION DESCRIPTION										REV BY	CHK BY	APPR. BY	DATE					
1	ISSUED FOR CUST. INF.										RD	TY	MM	02/21/06					