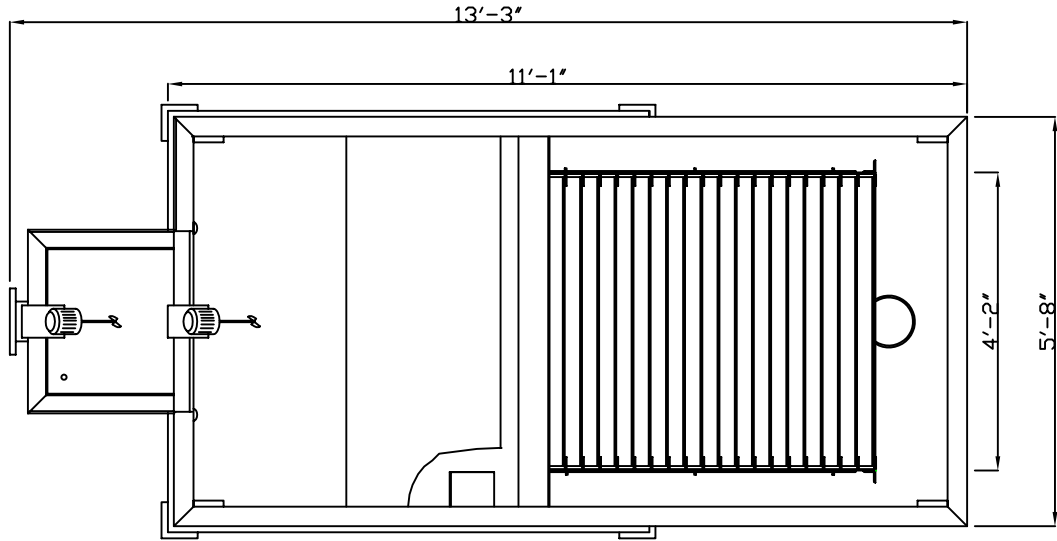
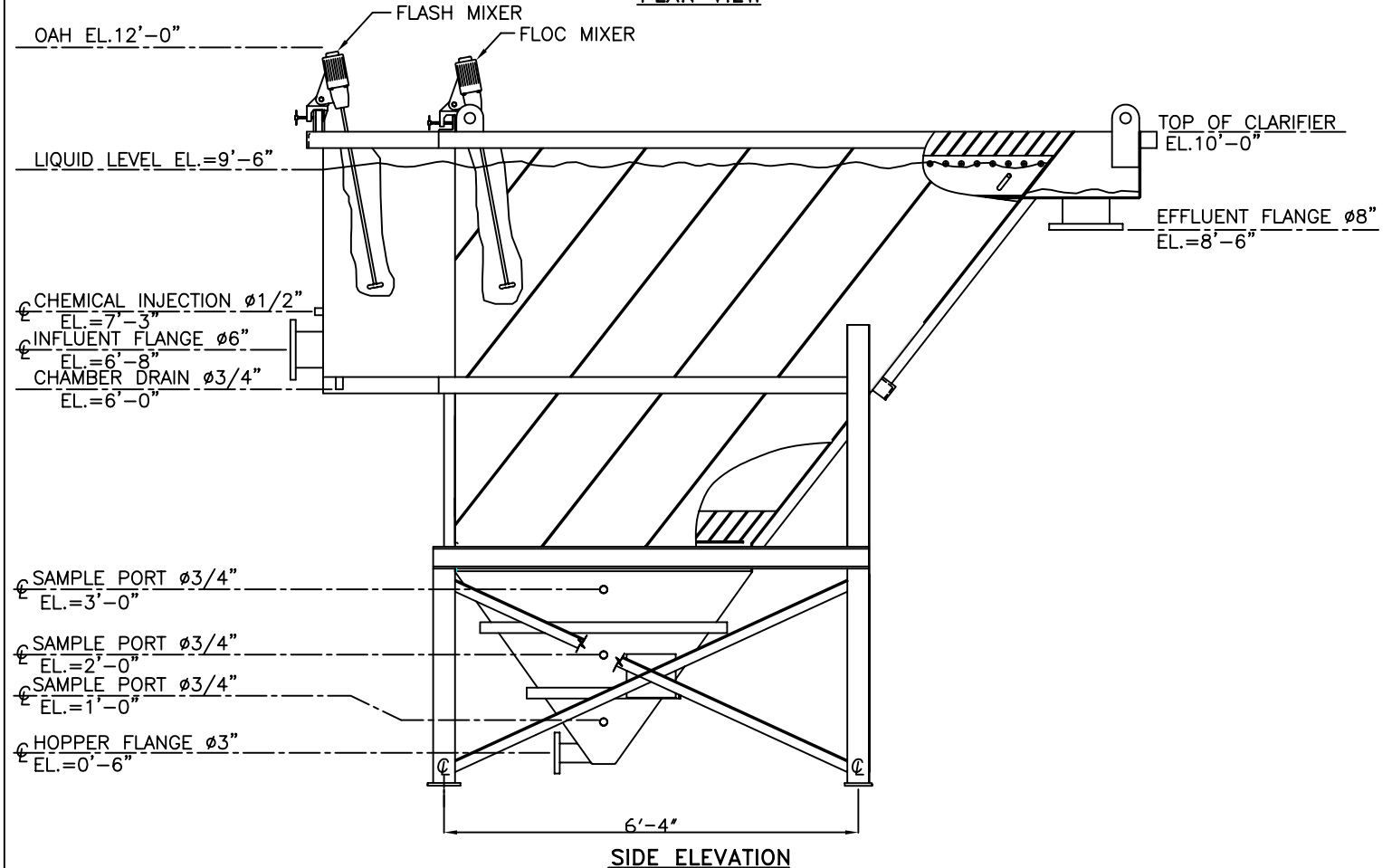


## Design Data

Rated Flow (gpm)	120	Proj. Effective Area (sq. ft.)	340
Flash Volume (gal.)	80	Floc Volume (gal.)	445
Hopper Volume (gal.)	170	Shipping Weight (lbs.)	6400
Plate Spacing (inch)	2	Operating Weight (lbs.)	31600



**PLAN VIEW**



**SIDE ELEVATION**

	<p><b>-CONFIDENTIAL-</b></p> <p>NOT TO BE DISCLOSED, USED OR DUPLICATED EXCEPT AS AUTHORIZED IN WRITING BY UNIPURE</p>	TITLE:	<p><b>UniPure 120-340-G2 Clarifier Design Data</b></p>
		DWG No.	<p><b>C120DD</b></p>