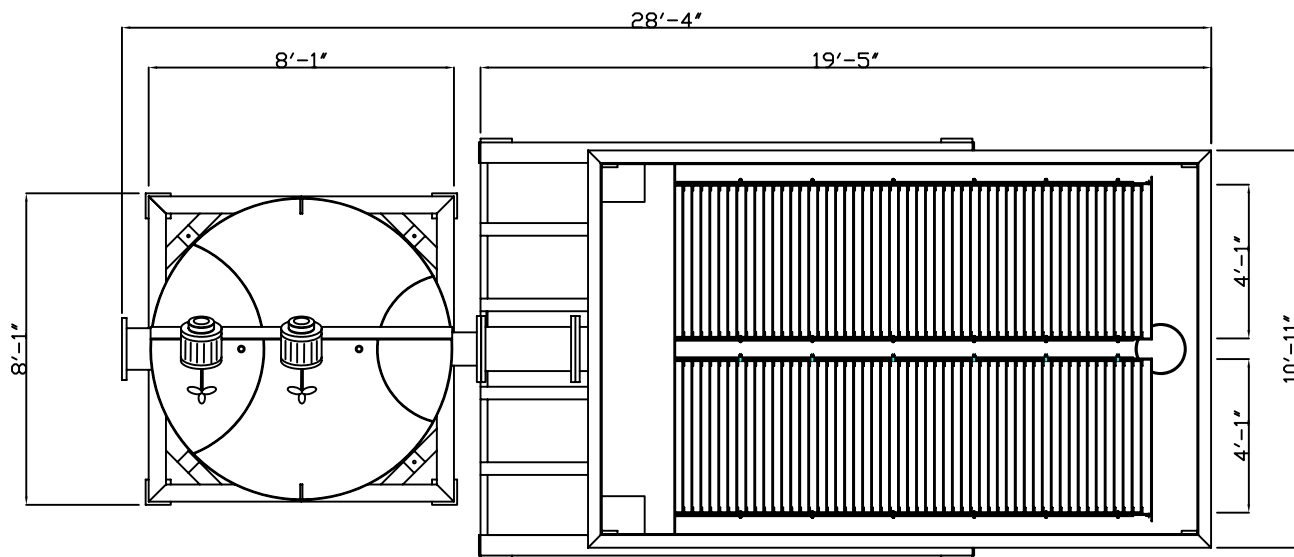
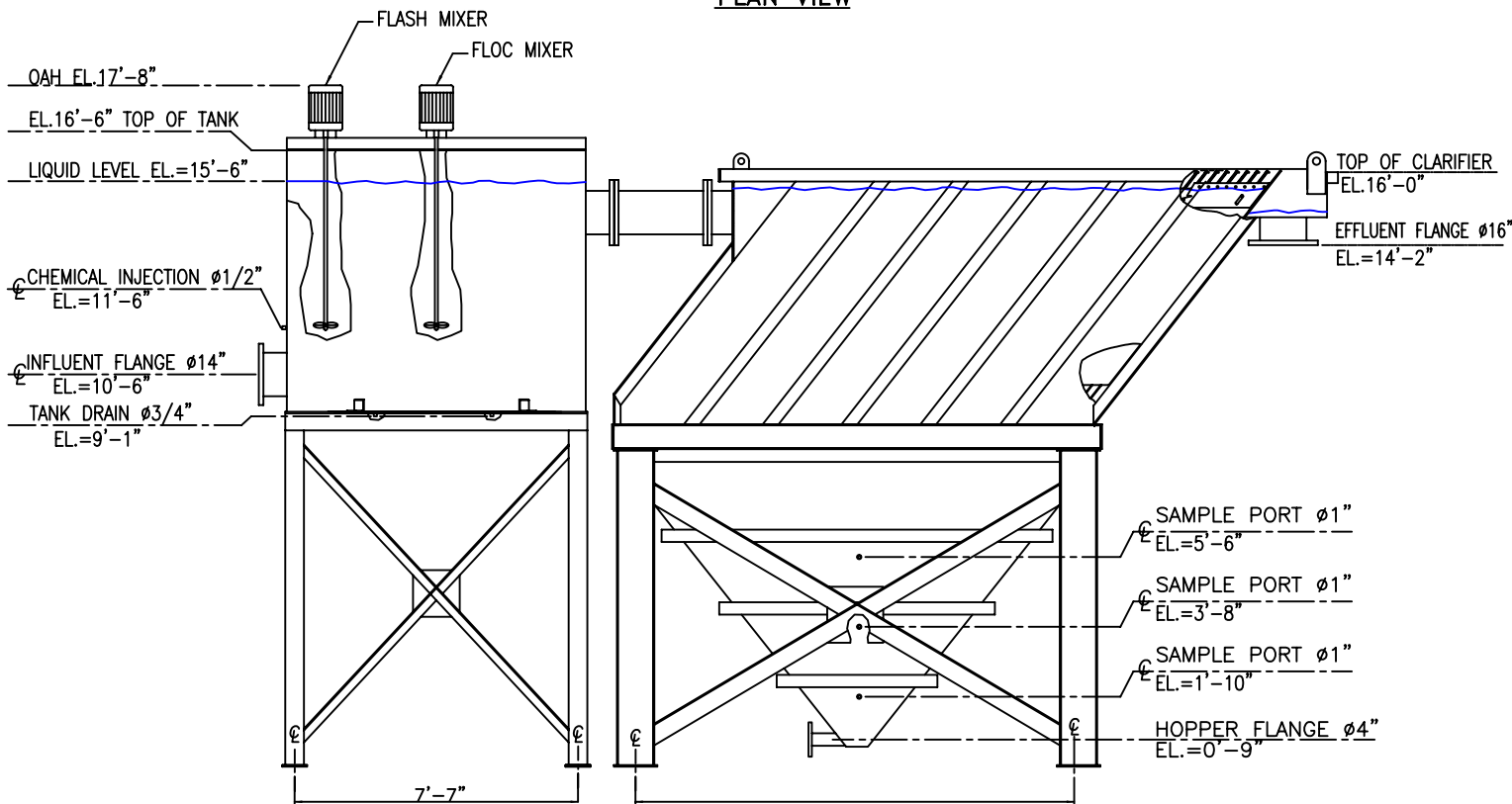


Design Data

Rated Flow (gpm)	600	Proj. Effective Area (sq. ft.)	1880
Flash Volume (gal.)	554	Floc Volume (gal.)	1950
Hopper Volume (gal.)	2340	Shipping Weight (lbs.)	34750
Plate Spacing (inch)	2	Operating Weight (lbs.)	168420



PLAN VIEW



SIDE ELEVATION



-CONFIDENTIAL-

NOT TO BE DISCLOSED, USED OR DUPLICATED
EXCEPT AS AUTHORIZED IN WRITING BY UNIPURE

UniPure

TITLE:

UniPure 600-1880-G2 Clarifier
Design Data

DWG No.

C600DD